

## 我们的目标:为客户创造价值

DONGMENG PRODUCTS REPRESENT GREAT VALUE TO ALL CUSTOMERS

### 联系方式 Contact information

国内销售部

Domestic sales dept.

国际贸易部

International sales dept.

售后服务部

After service dept.

电话(Tel): 021-6891 1951  
021-6891 1953

021-6891 1957

021-3756 6068

传真(Fax): 021-3756 6069

021-3756 6069

021-3756 6069

邮箱(E-mail): sales@dmluqiao.com

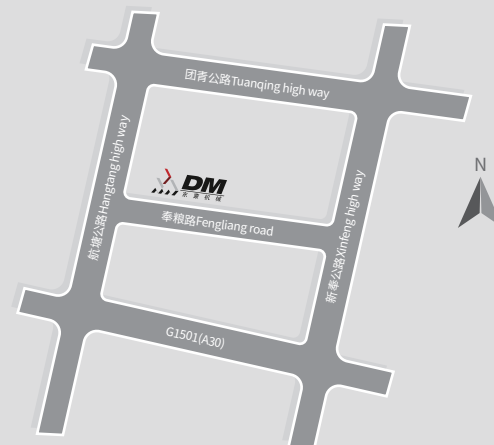
maina1989@hotmail.com

总部地址:上海市奉贤区奉城镇奉粮路1188号

Headquarters: No.1188, Fengliang Road, Fengcheng Town  
Fengxian District, Shanghai, China.

热忱欢迎四海宾客前来我司参观考察!

Warmly welcome all clients to visit our company!



上海东蒙路桥机械有限公司

更多产品信息请访问  
More information please visit

www.dmluqiao.com  
www.dmcrushers.com  
ru.dmcrushers.com



扫一扫 关注我们  
Scan and follow us

本画册图片及说明文字仅供参考。如有修改,恕不另行通知,本公司保留最终解释权。  
The pictures and contents for your reference only. Specification are subject to change without prior notice.  
We reserve the final interpretation right.



## 上海东蒙路桥机械有限公司

SHANGHAI DONGMENG ROAD&BRIDGE MACHINERY CO.,LTD.



## CRUSHING & SCREENING

### 专注破碎筛分·成就价值共赢

2021版  
Ver.2021

3 ZSW/GZD/GZG振动喂料机  
ZSW/GZD/GZG Vibrating feeder series



5 DC高效欧版颚式破碎机  
DC High efficiency European style jaw crusher



7 PEW欧版颚式破碎机  
PEW European style jaw crusher



9 DCS/DCH单缸液压圆锥破碎机  
DCS/DCH single cylinder hydraulic cone crusher



11 DHP多缸液压圆锥破碎机  
DHP Multi-cylinder hydraulic cone crusher



13 DHY液压圆锥破碎机  
DHY Hydraulic Cone Crusher



15 DMC复合圆锥破碎机  
DMC Compound cone crusher



17 DXF旋回破碎机  
DXF Gyratory crusher



19 PF反击式破碎机  
PF Impact crusher



21 PFW欧版反击式破碎机  
PFW European style impact crusher



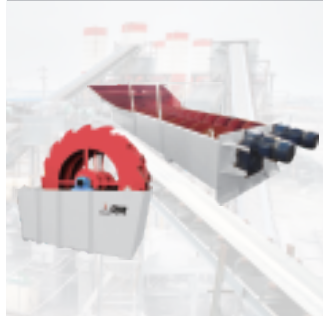
23 DVSJ高效立轴冲击式破碎机  
DVSJ High efficiency vertical shaft impact crusher



25 YK振动筛  
YK vibrating screen



27 LSX/XSD洗砂机  
LSX/XSD Sand washer



29 皮带输送机  
Belt conveyor



31 制砂生产线  
Sand-making production line

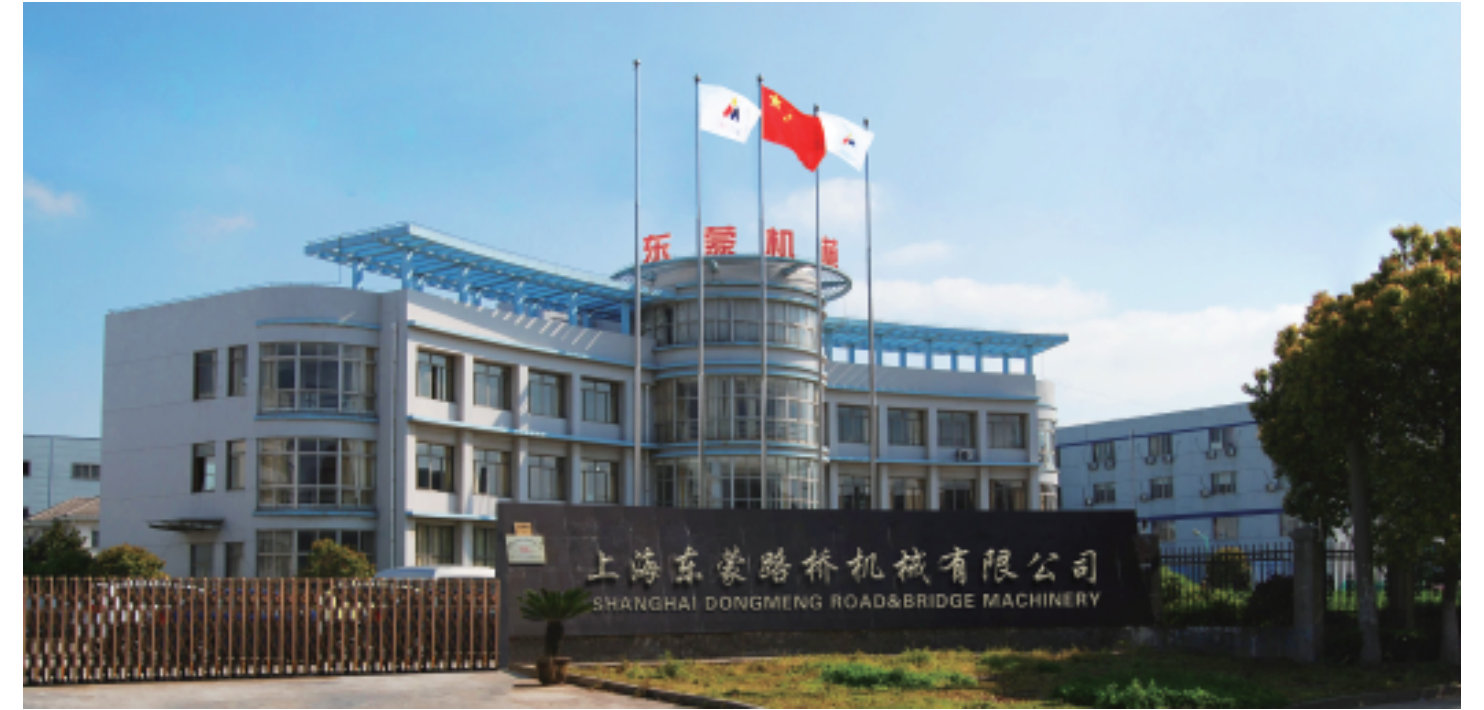


33 碎石生产线  
Stone crushing production line



# WE CAN AND WILL PROVIDE YOU WITH PROFESSIONAL SERVICE!

我们用专业为您服务!



上海东蒙路桥机械有限公司是一家十多年专业从事研发及制造大型破碎筛分设备与履带式移动破碎筛分设备的高新技术企业。

公司现有员工200余人,中高级技术人员30多人,3万平方米标准化厂房和现代化办公场地、研发中心及破碎机销售中心。公司在国内主要城市均设立办事处,配有丰富实战经验的应用工程师,方便为各地客户现场分析、配置生产线,并提供及时、精湛、周到的售后服务。我公司为开拓国际市场,设立了专门的国际市场部。为客户提供碎石生产线、人工制砂生产线以及固废处理生产线等项目解决方案。

“诚信为本,用户至上”东蒙人以高标准的制作,精湛的工艺设计及完善的售后服务体系在破碎机设备和系统研发领域里积累了丰富的应用经验。公司向客户提供破碎系统总承包----交钥匙工程,同时承接破碎系统的运行承包。

Shanghai Dongmeng Road&Bridge Machinery Co., Ltd. is a high technology company specializing in R&D and manufacturing large crusher, screen and crawler mobile crushing and screening plants for more than ten years.

The company has more than 200 employees, more than 30 middle and senior technical personnel, 30,000 square meters of standardized factory buildings and modern office space, R & D center and sales center. The company has set up offices in major cities in China, equipped with engineers with rich practical experience. It is convenient for on-site analysis and configuration of production lines for customers, and provides timely, exquisite and thoughtful after-service. Our company has set up an international marketing department for the development of the international market. To provide customers with stone material production line, artificial sand stone production line, crushing production line and other stone ore solutions, the current products have covered Southeast Asia, Africa, Europe and other countries and regions, and won the praise of customers.

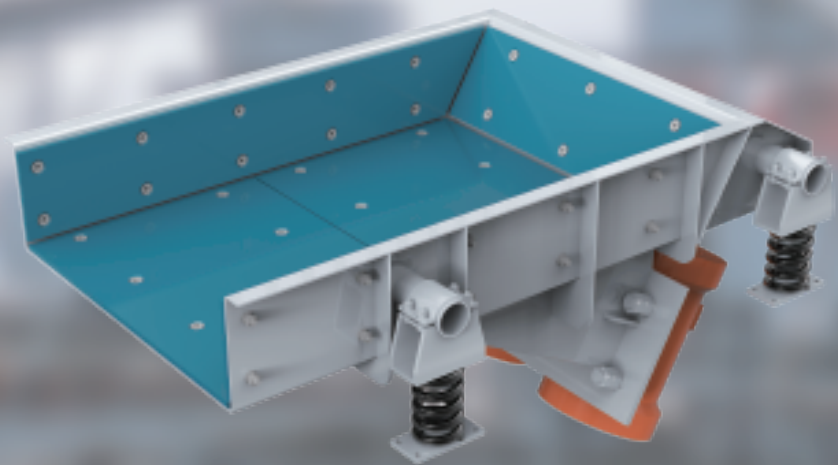
"Integrity based, customer first" Dongmeng has accumulated rich application experience in the field of crusher equipment and system R&D with high standard production, exquisite craft design and perfect after-sales service system. The company provides customers with the general contracting of crushing systems and at the same time undertakes the operation contracting of the crushing system.

注: 此样本册中, 设备的处理能力是以吨每小时标注, 是基于破碎干净干燥的级配物料, 堆比重1600kg/m<sup>3</sup>。原物料的级配, 含水量, 易碎性以及喂料方式的不同, 都会对设备的处理能力造成一定影响。

Note: In this catalog, machines' capacity(t/h) are based on clean, dry, graded material with a bulk density of 1600kg /m<sup>3</sup>(100lbs per cubic foot). Capacity are subject to variation depending on feed gradation, moisture content, friability and method of feed.

# ZSW/GZD/GZG振动喂料机

## ZSW/GZD/GZG Vibrating feeder



### 产品简介

振动喂料机广泛用于冶金、煤矿、选矿、人工矿石、建筑垃圾回收、建材、化工、磨料等行业的破碎、筛分联合设备中。用于把块状、颗粒状及粉状物料从贮料仓库或漏斗中均匀连续或定量给到受料设备中，在破碎生产线中，本产品可为破碎机连续均匀地给料，并对物料进行预筛分。

### Brief Description

Widely used in Crushing Plants in the Quarrying and Mining industries, Vibrating Feeders are used in applications ranging from the feeding of raw quarry material to a Primary Crushing section, or the feeding of smaller material to a Secondary or Tertiary crushing section. Smaller suspended Vibrating Feeders are commonly used for feeding product material from bin compartments onto conveyors or in surge pile applications.

### 优势和特点

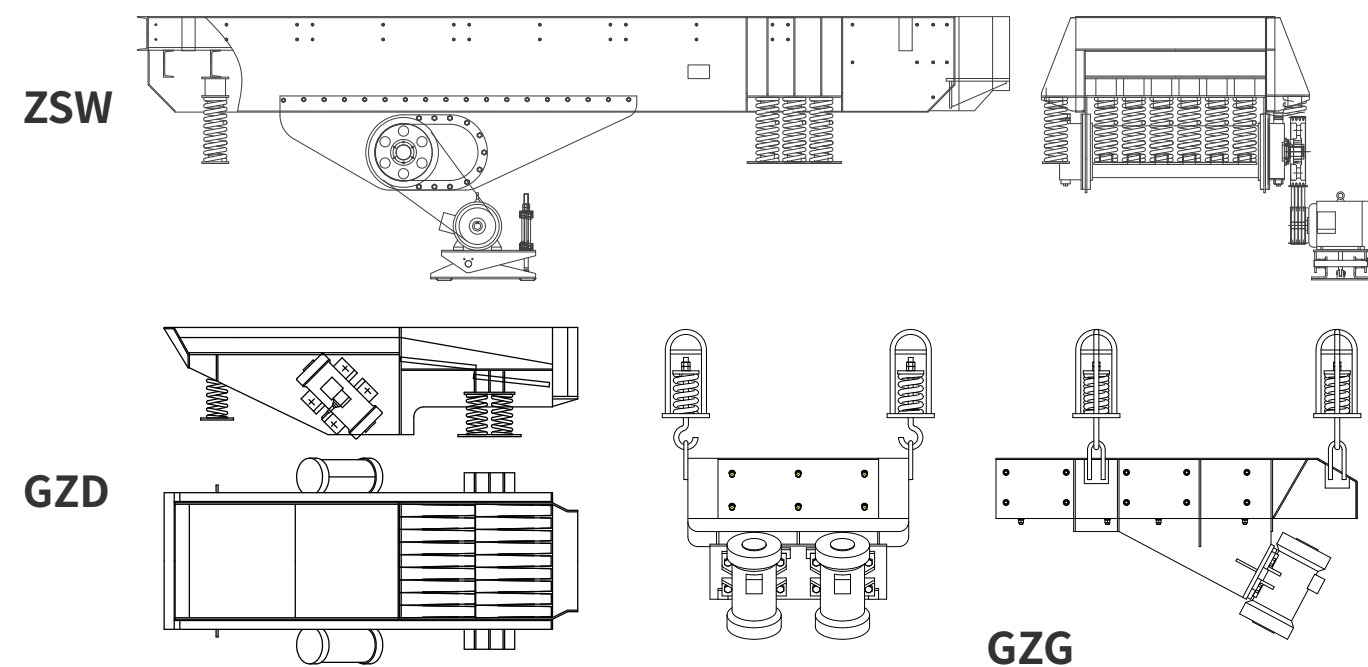
- 对各种矿岩特别是粘性矿岩物料适应性较强，并可在多尘或含水较多的环境下工作。
- 可采用封闭式结构机身，防止粉尘污染。
- 本产品采用双偏心轴或激振电机为激振源，振幅稳定，保证受振矿岩稳定的流动性。
- 本产品易损件少；振动耗电少，节能显著。

### Advantages and Characteristics

- The ZSW models are generally used for feeding large lump size raw quarry material to the Primary Crusher. These feeders are activated by twin eccentric shafts, and are available in 6 models. Feed lump sizes of up to 1200mm and capacities of up to 1000TPH are available. These feeders have a scalping section at the discharge end of the unit.
- The GZD models are generally used for Secondary and or Tertiary feed applications, and are activated by twin vibrating electric motors mounted on each side of the frame. There are 3 models available, with feed lump sizes of up to 450mm and capacities of up to 140 TPH. These feeders have a 2 section step deck scalping section at the discharge end of the unit.
- The GZG model is a smaller type of suspended feeder which is mainly used for feeding regulated flow rates of product material from storage bins onto conveyors in a Blending Plant, or in an underground Surge Tunnel application.

### 结构示意图

Structural Drawing



### 主要技术参数

Main Technical Parameters

型号 Model	料槽尺寸 Hopper size (mm x mm)	最大进料粒度 Max.feed size (mm)	处理能力 Capacity (t/h)	偏心轴转速 Eccentric shaft rotation speed (r/min)	电机功率 Motor power (kw)	重量 Weight (t)	外型尺寸 Dimension (mm)
ZSW3896	3800x960	500	100-160	500-720	11	4.3	3882x1700x1350
ZSW4911	4900x1100	580	120-280	500-800	15	5.5	4957x1850x1350
ZSW6013	6000x1300	600	400-560	500-800	22	7.5	6082x2000x1450
ZSW6015	6000x1500	800	460-575	500-800	30	8.7	6086x2200x2099
ZSW6018	6000x1800	1000	600-800	500-800	37	11.8	6310x2523x2510
ZSW6021	6000x2100	1200	800-1000	500-800	45	15	6310x3262x2630
GZD2575	2500x750	300	50-80		1.5x2	1.3	2580x1430x600
GZD3070	3000x700	350	60-90		3x2	2.7	3260x1200x850
GZD3090	3000x900	450	80-140		3x2	3	3260x1400x850
GZG8012	1200x800	200	80-160		1.1x2	0.5	1580x1430x600
GZG1014	1400x1000	300	160-300		1.5x2	0.9	1800x1100x990
GZG1218	1800x1200	350	300-500		2.2x2	1.5	2400x1600x1100
GZG1420	2000x1400	400	400-700		3.7x2	2.1	2700x1800x1250

## DC高效欧版颚式破碎机

DC High efficiency European style Jaw Crusher



### 产品简介

DC系列高效欧版颚式破碎机广泛应用于矿石破碎、建筑骨料生产、建筑垃圾破碎、水利水电工程、公路、铁路、道桥建设等行业。

### Brief Description

DC High efficiency European style Jaw Crusher is widely used in mining stone crushing, building aggregate production, residual construction material processing, water conservancy & hydropower, highway, railway, bridge and other industries.

### 优势和特点

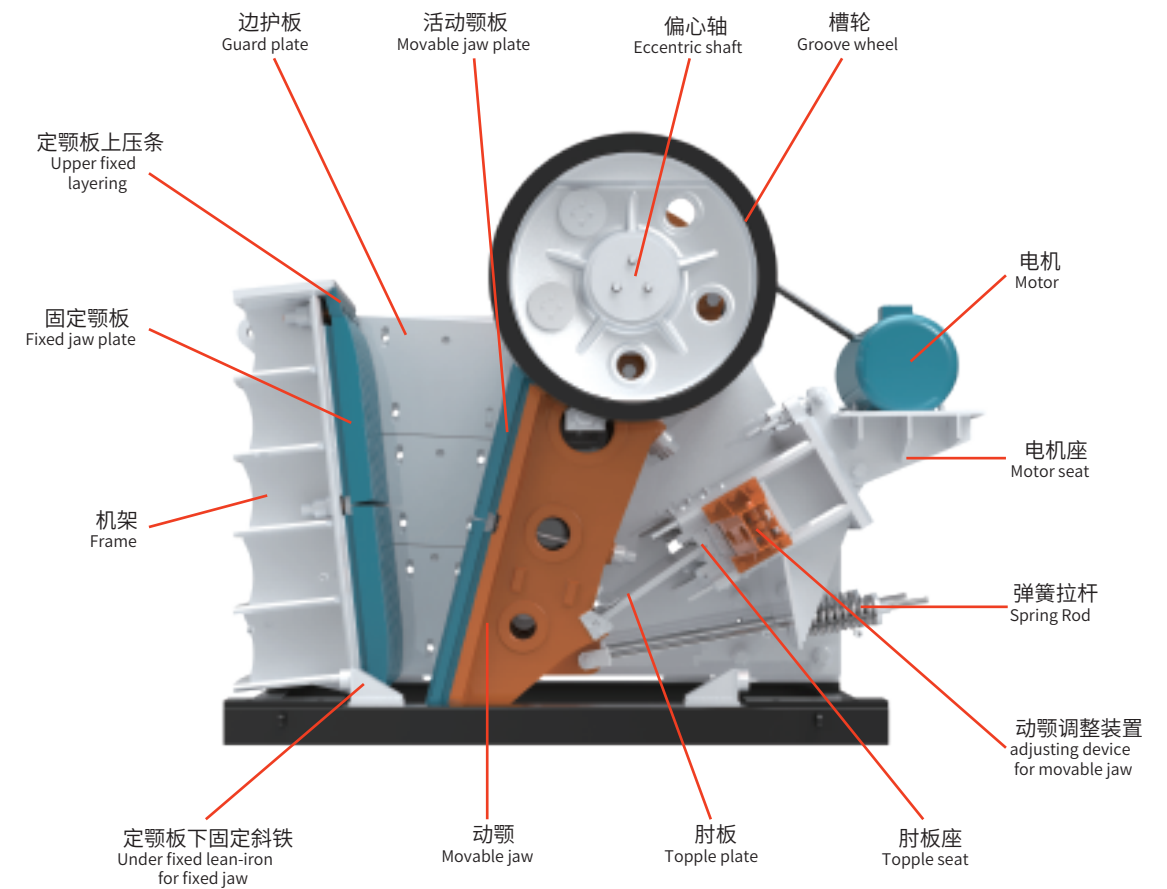
- 本系列颚式破碎机运行平稳、使用寿命长, 装备有双楔块排矿口调整系统, 更方便、快捷地调整设备排矿口, 即使在空转情况下也可在几分钟内把排料口调到预定值, 在液压系统或螺杆系统配合下, 实现自动化, 比传统颚式破碎机垫片式排料调节系统更简单、安全、快捷。
- 采用大离心力和更高破碎频率设计, 使得在破碎腔底部有效冲程更大。在小排料口下生产, 可产出比其它颚式破碎机更细更多的破碎产品。
- 主机、电机一体化设计, 结构紧凑, 重量轻, 安装简单, 降低安装费用。

### Advantages and Characteristics

- This series Europe-style jaw crusher has stable operation and long useful life. The discharge opening system is equipped with double wedge block to make the discharge size can be adjusted more easily and speedily, even if when machine is idling, it can be set to preset value in just a few minutes. With the support or screw system, automation is realized, so the discharge adjusting system and screw system is more simply, safer and quicker compared with traditional crusher whose adjusting system adopts shim.
- It adopts big centrifugal force and high crushing frequency design, so the bottom effective stroke is very big. It can produce more fine crushing material with small discharge production than other jaw crusher.
- Main machine and Motor adopt integrated design, compact structure, Less weight, with simple installation and low installation cost.

### 结构示意图

Structural Drawing



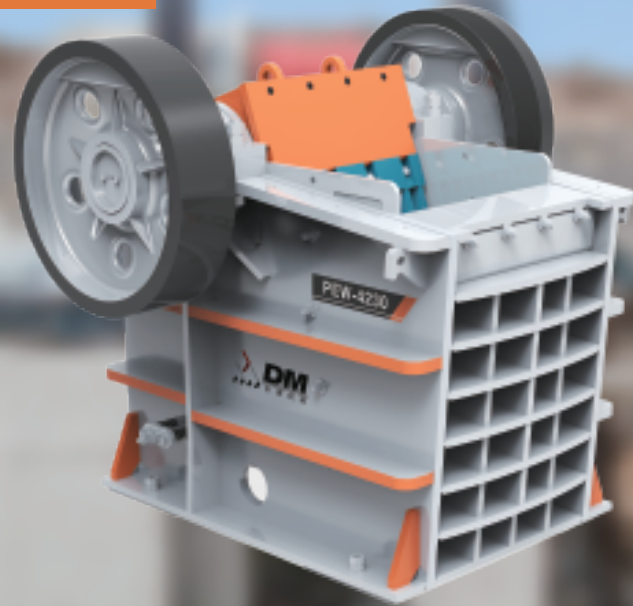
### 主要技术参数

Main Technical Parameters

型号 Model	进料口尺寸 Size of feed opening (mm x mm)	最大进料粒度 Max. feed size (mm)	处理能力 Capacity (t/h)	偏心轴转速 Eccentric shaft rotation speed (r/min)	电机功率 Motor power (kw)	排料口调整范围 Closed side setting (mm)	重量 Weight (t)
DC75	500x750	420	61-198	320	55-75	50-150	9.5
DC90	600x900	500	120-291	306	90	70-175	12.5
DC106	750x1060	630	199-446	270	132	90-200	23.5
DC125	950x1250	800	327-728	240	160	100-250	42.8
DC160	1200x1600	1000	581-1204	220	250	150-300	75

## PEW欧版颚式破碎机

PEW European style jaw crusher



### 产品简介

PEW欧版颚式破碎机被广泛运用在砂石或矿山中, 具有简单的设计和坚固的结构, 为您提供高效率、高效益的破碎机产品需求。

### Brief Description

PEW European jaw crusher is widely used in Quarry and Mining. With simple design and sturdy structure, it's a high-efficiency and high-return machine.

### 优势和特点

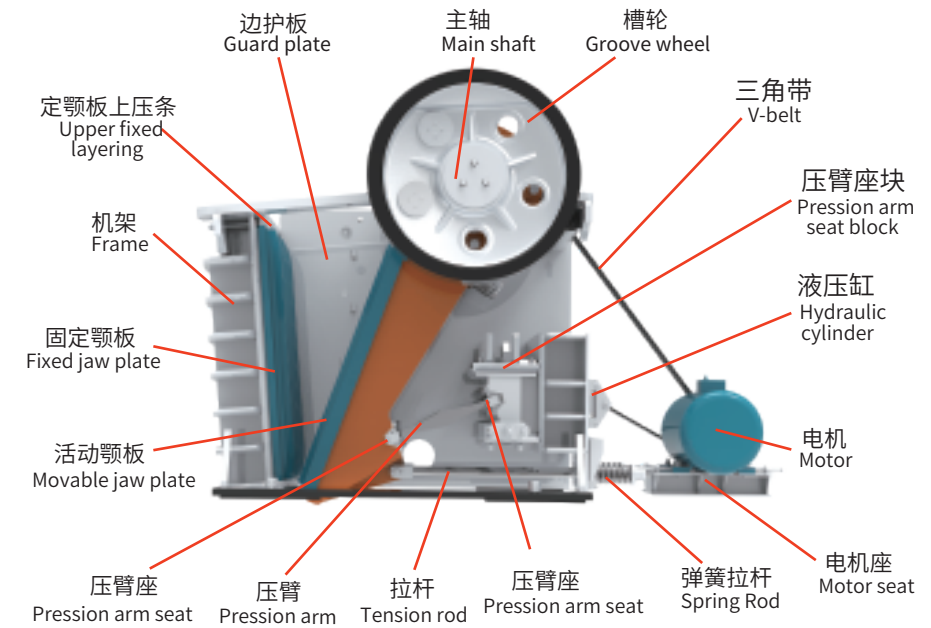
- 本系列颚式破碎机配置液压调整装置, 利用动力油箱及液压缸和其它组成部件。可轻易简单的改变排料口设置, 缩短调整时间, 并能精准的符合需求的出料标准。
- 主机本体以钢板组成并在焊接后经过退火处理, 因此在设备运作的过程中经得起强烈的撞击。
- 此设备有大而深的破碎腔, 且设计的破碎角度为锐角, 因此可达到非常大比例的破碎率。

### Advantages and Characteristics

- This jaw crusher with Hydraulic Closed side setting. Can easily, quickly and precisely make the CSS adjustment.
- The fabricated frame with annealing treatment, making the machine sturdy and durable.
- This machine has a large and deep crushing cavity, and the designed crushing angle is an acute angle, so a very large crushing ratio can be achieved.

## 结构示意图

Structural Drawing



## PEW颚式破碎机 主要技术参数

PEW Jaw crusher Main Technical Parameters

型号 Model	进料口尺寸 Size of feed opening (mm x mm)	转速 Speed (r/m)	最大进料尺寸 Max.feed size (mm)	电机功率 Motor power (kw)	处理能力Capacity (t/h)						
					闭边排料口尺寸Closed side setting (mm)						
					100	125	150	200	225	250	300
PEW-4230	1050x750	230	630	90-110	180	210	237	294	350		
PEW-4836	1200x900	200	760	110-160	210	250	280	320	402		
PEW-4840	1200x1000	200	850	132-160		265	302	370	480		
PEW-6048	1500x1200	190	1000	185-250			415	520	580	660	750

# DCS/DCH单缸液压圆锥破碎机

## DCS/DCH single cylinder hydraulic cone crusher



### 产品简介

DCS/DCH 系列单缸圆锥破碎机是我司吸收瑞典技术，结合圆锥破碎机领域的最新技术进展研发设计的一种高效破碎机。外形非常的简洁紧凑，通过底部单缸的设计结构，完成了排料口直接调节、预防过铁、清腔的三个重要功能。因此，单缸液压圆锥破碎机没有外置的排料口调节机构，也没有外部液压缸或者弹簧的防过铁装置，整体外形结构简单紧凑。

单缸液压圆锥破碎机分为标准型和短头型，分别应用于中碎和细碎作业，广泛应用于冶金、建筑、公路、化工、建材工业中，适于破碎高硬度和高磨蚀性的矿石及岩石。尤其在金属矿和建筑砂石料的破碎方便应用最为广泛。

### 优势和特点

- 高效率：该液压圆锥破碎机主轴上下两端均有支撑，能承受更大的破碎力和更大的冲程，加上与层压原理相适应的特殊破碎腔形，使该机具有更高的破碎效率。
- 生产能力大：该液压圆锥破碎机将破碎冲程、破碎速度以及破碎腔形状的完美组合设计。
- 出料粒型好：该液压圆锥破碎机采用特有的破碎腔型以及层压破碎原理，产生颗粒间的破碎作用，从而使成品中立方体所占的比例明显增高，针片状石了减少，粒级更为均匀。
- 多种腔型的中细破碎，仅仅更换定锥即可实现。
- 程序控制的液压与润滑系统，可确保该机的过载保护与良好的轴承润滑。

### Brier Descriptiom

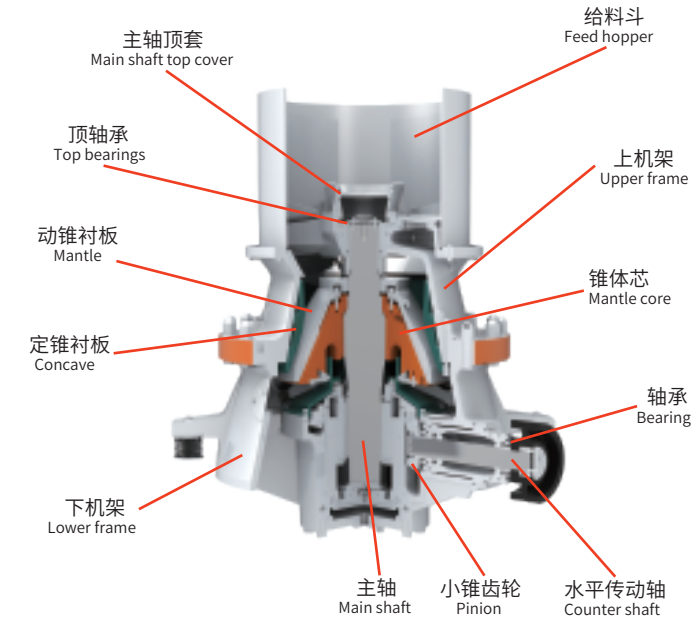
DCS/DCH Single Cylinder Hydraulic Cone Crusher is the most recent Cone Crusher to be designed by DongMeng, and incorporates the latest technology from Sweden to improve crushing action and production. The machines features include, large output capacity, with consistently good product shape. The discharge setting adjustment is easily made, and replacement of wear parts is quick, thereby reducing downtime. These efficient machines are widely used in medium and fine crushing applications.

### Advantages and Characteristics

- The large diameter main shaft and heavy duty mainframe ensures a sturdy and durable machine. Multiple available cavities variable stroke, and multi swing frequency, offer different discharging opening sizes for various product ranges.
- Adjustment of CCS is made quickly and hydraulically, and these machines offer a higher rate of production when compared to other similar sized units.
- The low head design profile, minimal maintenance requirement consistent reliability, and overall light weight factor makes these machines ideally suited for mobile crushing plant configuration.

### 结构示意图

#### Structural Drawing



### 主要技术参数

#### Main Technical Parameters

型号 Model	电机功率 Motor power (kw)	最大给料尺寸 Max.feed size (mm)	腔型 Cavity type	当破碎机调节到最小排料口的处理能力 Capacity at Min . Closed side setting (t/h)														
				19	25	29	32	35	38	41	44	48	51	54	60	64		
DCS250	220-250	450	EC					267	282-353	298-448	313-563	334-601	349-524	365-456				
		400	C			225	239-299	254-381	269-484	284-511	298-448	318-398	333					
		300	MC		195	214-267	228-342	242-435	256-461	270-486	284-426	303-378	317					
DCS315	315-355	560	EC							349	368-460	392-588	410-718	428-856	465-929	489-978		
		500	C						318	336-420	353-618	376-753	394-788	411-823	446-892	469-822		
型号 Model	电机功率 Motor power (kw)	最大给料尺寸 Max.feed size (mm)	腔型 Cavity type	当破碎机调节到最小排料口的处理能力 Capacity at Min . Closed side setting (t/h)														
				6	8	10	13	16	19	22	25	32	38	44	51	57	64	70
DCH250	220-250	215	EC						114-200	122-276	131-294	139-313	159-357	175-395	192-384			
		175	C				101	109-218	117-292	125-312	133-332	151-378	167-335	183-229				
		140	MC				97-122	105-262	113-282	120-301	128-320	146-328	161-242					
		110	M				117-187	126-278	136-298	145-318	154-339	176-281	194					
		85	MF			114	124-227	134-245	144-263	153-281	163-299	186-248						
		70	F		90-135	96-176	104-191	112-206	120-221	129-236	137-251	156-208						
		38	EF															
DCH315	280-315	275	EC						177	190-338	203-436	216-464	246-547	272-605	298-662	328-511		
		245	CX						174-194	187-374	200-488	212-510	242-582	268-654	293-521	323-395		
		215	C						171-190	184-367	196-480	209-510	238-582	263-643	288-512	317-353		
		175	MC						162-253	174-426	186-455	198-484	226-502	249-499	273-364			
		135	M						197-295	211-440	226-470	240-500	274-502	302-403				
		115	MF			192	207-369	222-396	237-423	252-450	287-451	318-363						
		85	F			195-304	210-328	225-352	241-376	256-400	292-401	323						
65	EF			211-293	227-316	244-298	261-290											
DCH500	500-550	300	EC							448-588	477-849	544-968	601-1071	658-1172	725-1291	782-1393	849-1512	906-1331
		240	C						406	433-636	461-893	525-1018	581-1125	636-1232	700-1357	756-1464	820-1461	876-1286
		195	MC						380-440	406-726	432-837	492-954	544-1055	596-1155	657-1272	708-1373	769-1370	821-1206
		155	M						400-563	428-786	455-836	519-953	573-1054	628-1154	692-1271	746-1372	810-1248	865-1098
		100	MF					379-424	407-563	434-765	462-814	527-928	528-942	638-789	702			
		90	F				357-395	385-656	414-704	442-752	470-800	535-912	592-857	649-718				
		80	EF			280-405	304-517	328-558	352-598	376-639	400-680	455-775	503-728	551-669				

# DHP多缸液压圆锥破碎机

## DHP Multi-cylinder hydraulic cone crusher



### 产品简介

DHP多缸液压圆锥破碎机是我公司引进芬兰最新技术而开发的具有世界先进水平的高性能圆锥破碎机，它将破碎速度、偏心距（冲程）和高性能破碎腔型设计完美结合，极大提高了生产能力和破碎效率。广泛应用于矿山矿石破碎、高硬度岩石物料破碎、建筑物料破碎、水泥厂、砂石制造等行业。

### Brief Description

Widely used in the Quarrying and Mining industries, the DHP Multi-cylinder Hydraulic Cone Crusher has been designed based around Finland technology utilizing higher crushing speed, advanced eccentricity, and a high performance crushing chamber. This combination has resulted in a crusher which is far superior to the conventional Spring Crusher, with vast increases in crushing efficiency and capacity. These machines are available in 5 sizes, each with a choice of 4 cavity configurations.

### 优势和特点

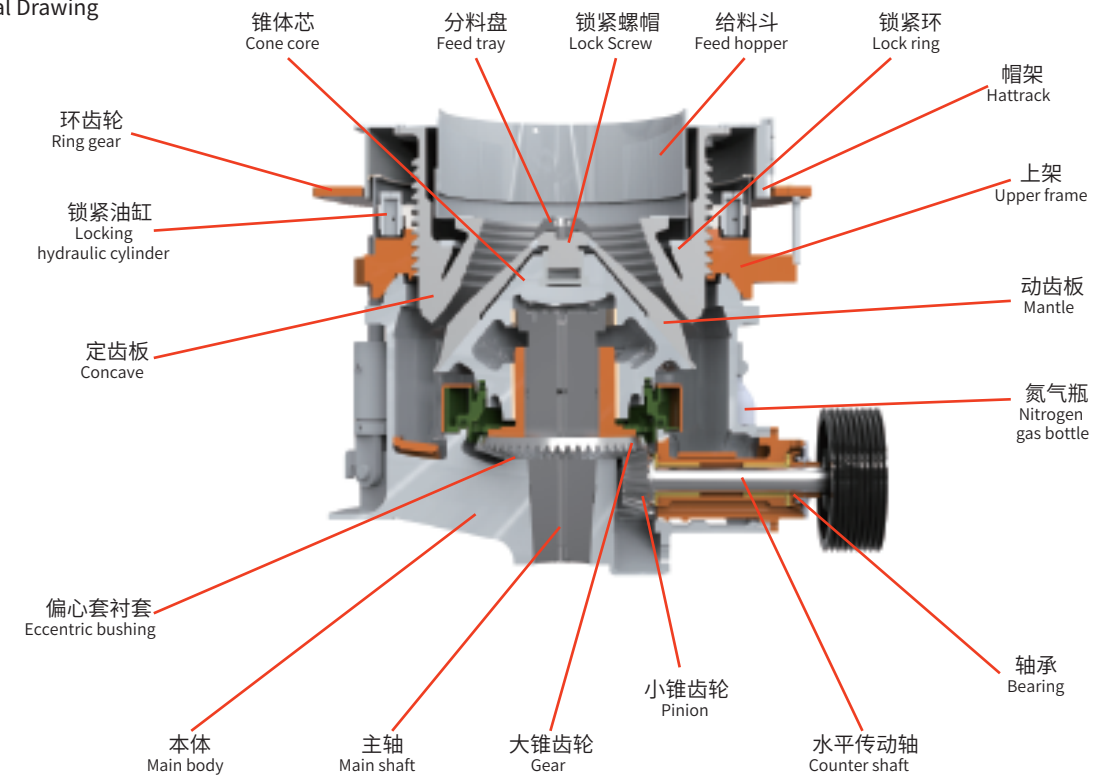
- 智能化设计，破碎状态和设备运行数字化显示，程序化控制、故障报警，油压自动调节，观察更直观，调节更方便。
- 该机通过零件的装配位置调整和部分耐磨件调换，机器可调为粗、中、细三种腔型；在使用过程中若发生过铁瞬间闷机的情况下，无需拆机，仅利用液压装置即可自动排出破碎腔内的故障物。
- 该机器配备专门稀油润滑系统，保证部件间润滑油流，部件能够充分润滑。多点分体的液压润滑控制系统，可确保该机轴承润滑的双重保护及过载保护。
- 通过控制液压油站，可实现对机器的自动化控制调节，简化操作程序。

### Advantages and Characteristics

When compared to a conventional spring cone crusher, These machines have a wide variety of CCS and can be configured to operate with Coarse, Medium and Fine cavities. All machines are fitted with digital electronic control systems which include operation data, alarms, and hydraulic CCS adjustment and tramp iron clearance function. A multipoint hydraulic lubrication system ensures thorough protection of all bearings and components, ensuring long and reliable operation.

### 结构示意图

Structural Drawing



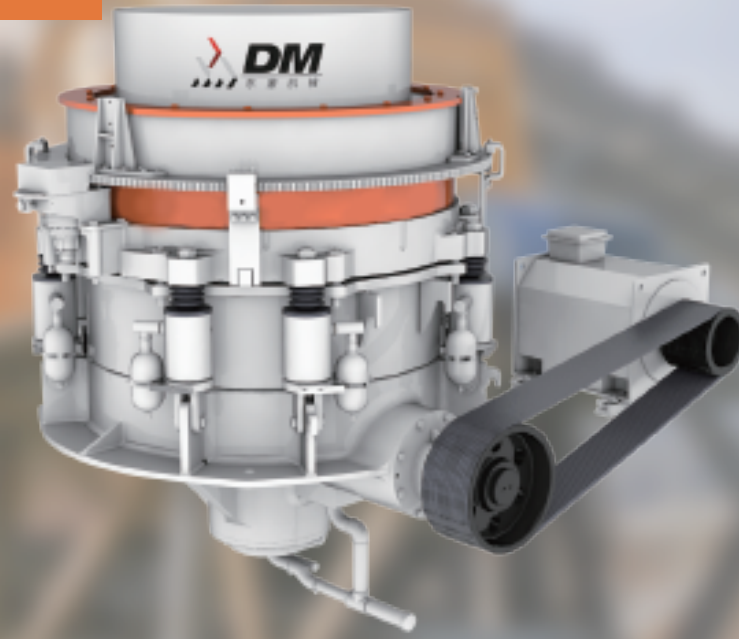
### 主要技术参数

Main Technical Parameters

型号 Model	腔型 Cavity type	最大给料尺寸 Max. feed size (mm)	排料口范围 Range of discharge port (mm)	电机功率 Motor power (kw)	处理能力Capacity (t/h)								重量 Weight (t)		
					闭边排料口尺寸Closed side setting (mm)										
					13	16	19	22	26	32	38	45	51		
DHP200	C	185	22-38	160				180	195	210	225			10.9	
	M	125	16-32			118	140	163	182	200					
	F	95	13-26		95	115	135	160	180						
DHP300	EC	230	26-51	220					230	270	320	370	400	17.8	
	C	221	22-45					210	225	260	310	360			
	M	150	16-38			155	175	200	220	260	295				
DHP400	F	107	13-32	315	110	135	165	195	225	250				25	
	EC	300	32-51							365	420	480	520		
	C	250	26-51						315	350	405	470	500		
DHP500	M	200	22-45	400				266	302	340	390	450		34.1	
	F	120	16-38			198	210	260	300	330	380				
	EC	335	32-51							460	560	615	715		
DHP800	C	280	26-51	600					390	455	550	612		69	
	M	210	22-45					340	382	440	545	600			
	F	133	16-38			285	305	335	378	435	540				
DHP800	EC	355	32-63	600					720	800	900	1028	1200	69	
	C	305	32-51						710	785	890	1000			
	M	260	26-45					620	698	780	885				
	F	215	22-38			480	520	610	690	780					

## DHY液压圆锥破碎机

DHY Hydraulic Cone Crusher



### 产品简介

DHY系列液压圆锥破碎机是经过吸收当今世界先进技术而研制出的具有先进水平的圆锥破碎机, 该系列液压圆锥破碎机是高性能圆锥破碎机, 在设计中将转速以及破碎腔型进行了优化组合, 使其实现了粒径间层压破碎, 和以往的圆锥破碎机相比显著提高了产量, 产品形状也大为改善。

### 优势和特点

- 一机多用, 通过零件的装配位置调整和调换部分耐磨件, 可将机型调为粗、中、细三种型号。
- 智能化设计, 破碎状态和设备运行数字化显示、程序化控制、故障报警、油压自动调节, 观察更直观, 调节更方便。
- 多点分体的液压润滑控制系统, 可确保该机轴承润滑的双重保护及过载保护。
- 该机在发生过铁瞬间闷机的情况下, 无需拆机, 能够利用液压装置自动排出破碎腔内的故障物。
- 机器配备专门稀油润滑系统, 保证部件间润滑油流, 部件能够充分润滑。

### Brief Description

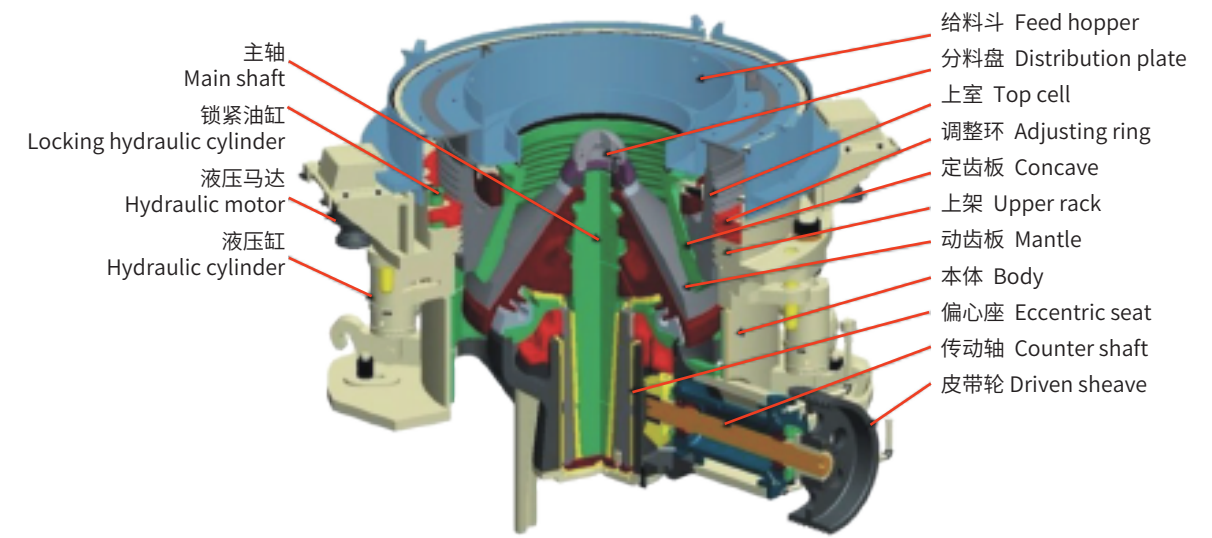
DHY series Hydraulic cone crusher is an advanced cone crusher developed by absorbing the world's latest technology. This high-performance cone crusher made optimized combination in the design, the speed and crushing cavity, enables high-efficiency inter-particle crushing. Compared with the previous cone crusher, the capacity is significantly increased, and the product shape is also greatly improved.

### Advantages and Characteristics

When compared to a conventional spring cone crusher. These machines have a wide variety of CSS and can be configured to operate with Fine or Coarse cavities. All machines are fitted with digital electronic control systems which include operation data, alarms, and hydraulic CSS adjustment and tramp iron clearance function. A multipoint hydraulic lubrication system ensures thorough protection of all bearings and components, ensuring long and reliable operation.

## 结构示意图

Structural Drawing



## 主要技术参数

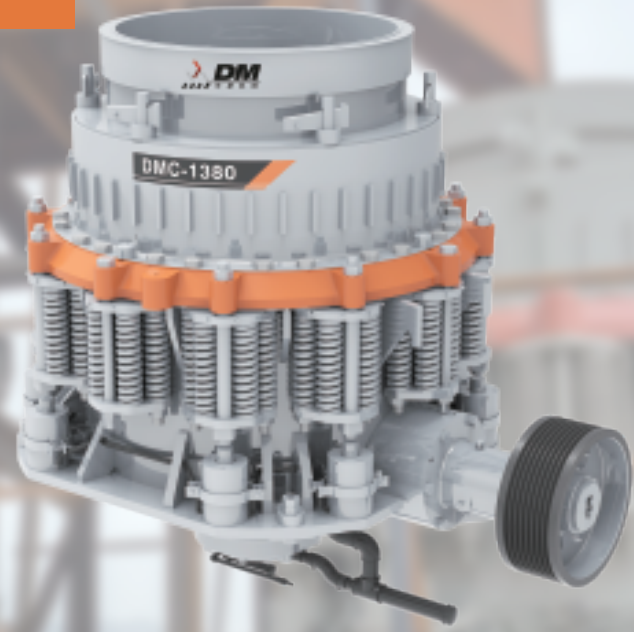
Main Technical Parameters

型号 Model	腔型 Cavity type	最大给料尺寸 Max. feed size (mm)	最小排料口尺寸 Range of discharge port (mm)	电机功率 Motor power (kw)	处理能力Capacity (t/h)									
					闭边排料口尺寸Closed side setting (mm)									
					10	13	16	19	22	25	32	38	51	64
DHY1680	C	267	22	280-315					345	410	495	550	685	760
	M	203	16	280-315			240	280	315	345				
	F	140	13	280-315		195	235	275	355					
	EF	95	10	280-315	185	225	265	340						
DHY2060	C	330	25	400-500						600	820	950	1050	1200
	M	250	19	400-500				420	480	560	780			
	F	160	16	400-500			390	455	520	600				
	EF	115	13	400-500		320	395	460	540					
DHY2160	C	400	32	400-500							1125	1350	1650	1800
	M	300	25	400-500						800	1050	1200	1400	
	F	180	19	400-500				500	650	720	850			
	EF	130	16	400-500			450	550	680	750				
DHY2580	C	470	32	500-600							1400	1650	1900	2100
	M	350	25	500-600						1000	1250	1400	1600	
	F	200	19	500-600				600	680	790	900			
	EF	145	16	500-600			520	610	730	810				



## DMC复合圆锥式破碎机

DMC Compound cone crusher



### 产品简介

DMC系列复合圆锥式破碎机是我公司在引进、吸收国外西蒙斯圆锥技术的基础上,根据客户的需求,基于层压破碎原理及多破少磨概念设计研发的集高摆频、优化腔型和合理冲程于一体的现代高性能破碎机。广泛应用于矿山矿石、高硬度岩石、建筑物料破碎,水泥厂、砂石料场、混凝土搅拌站、干粉砂浆、电厂脱硫、石英砂等方面。

### Brief Description

Widely used in the Quarrying and Mining industries, the DMC Crusher is the result of utilizing part of the World famous Symons Gyratory design, enhancing the crushing chamber to result in more crushing and less grinding action, and introducing a hydraulically operated cavity clearance system to clear blockages. The machines are available in model sizes of 1000mm, 1160mm, 1300mm, 1380mm, 1650mm, and 1950mm. All models are available to be fitted with crushing cavities of Extra Fine, Fine, Medium, or Coarse.

### 优势和特点

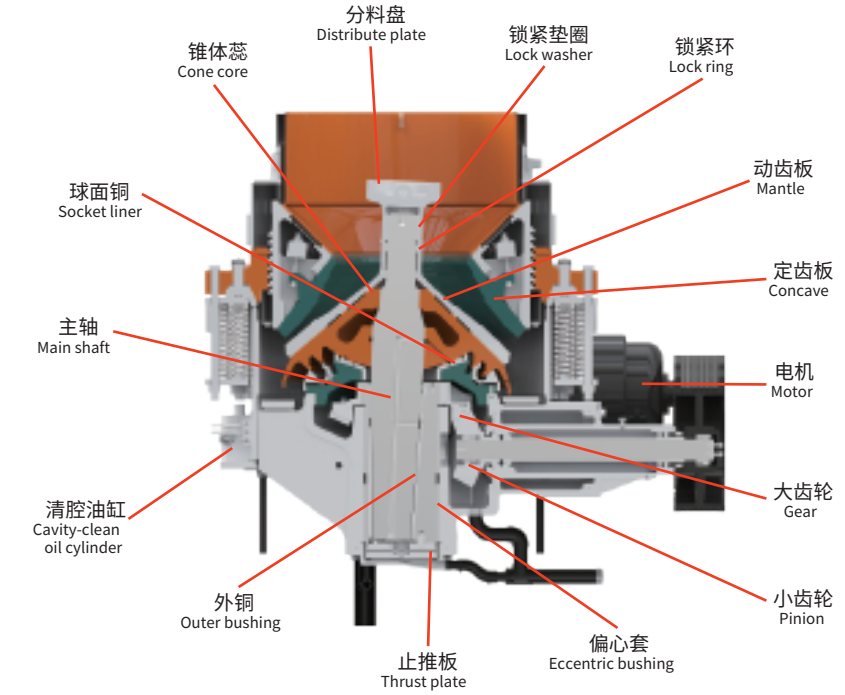
- 采用大直径主轴、重型化主机架以及独立的稀油润滑系统的自动控制系统,坚固耐用,运行可靠。
- 过铁保护装置确保杂铁通过破碎腔后,能够迅速恢复原有的排料口,保证排料大小。
- 该机采用层压破碎原理,形成料层保护层,不仅有效降低磨损,还使产品中立方体所占比例明显提高。
- 无填充物机械锁紧易损件,易更换、省时省力。

### Advantages and Characteristics

- These machines feature a larger diameter shaft than a standard machine as well as an independent oil lubrication system, accounting for strong, durable, and reliable operation. The efficient hydraulic jacking system allows for the quick clearance of any tramp iron or other blockage that may occur, thereby greatly reducing down time. Change out times of the concave and mantle are quick, as there are no fillers or bonding agents involved.

### 结构示意图

Structural Drawing



### 主要技术参数

Main Technical Parameters

型号 Model	腔型 Cavity type	最大进料尺寸 Max. feed size (mm)	最小排料尺寸 Min discharge opening (mm)	电机功率 Motor power (kw)	处理能力Capacity (t/h)										重量 Weight (t)				
					闭边排料口尺寸Closed side setting (mm)														
					6	10	13	16	19	22	25	38	51	64					
DMC1000	C	160	13	110			80	100	135	150	175	235				10.8			
	M	115	10			65	75	90	120	135	150						10.8		
	F	80	8			52	62	72	78	115							10.51		
	EF	50	6			50	55	65	70	102							10.51		
DMC1160	C	180	13	132			115	135	150	180	200	260				15.5			
	M	130	10			100	110	120	135	165	175								
	F	90	10			80	105	110	140										
	EF	60	6			60	74	105	110	130									
DMC1300	C	200	16	200			150	180	200	230	310	390			22.3				
	M	150	13			115	140	160	190	210									
	F	102	10			90	115	145	160										
	EF	70	8			88	110	135	155										
DMC1380	C	215	19	220				200	220	260	350	440			26.3				
	M	160	16				155	180	200	220									
	F	115	13				150	190	210	230									
	EF	76	8				122	148	185	200									
DMC1650	C	235	22	250					265	310	420	525	580	36.5					
	M	175	19					215	240	265	320								
	F	130	13				180	210	235	255	275								
	EF	90	10				148	178	200	220									
DMC1950	C	350	22	280-315						330	390	525	355	725	44.3				
	M	203	16					230	270	300	330								
	F	140	13				185	225	265	340									
	EF	95	10				180	220	260	335									

## DXF旋回破碎机 DXF Gyratory crusher



### 产品简介

DXF系列旋回式破碎机集机械、液压、电气、自动化、智能控制等技术于一体，对标国际的旋回破碎机技术，是一款大产能、智能化的新型粗碎设备。与传统旋回式破碎机相比，DXF旋回式破碎机破碎效率更高、使用成本低、维护调整方便，可以给用户提供智能的超大产能粗碎解决方案。

### Brief Description

DXF series Gyratory crusher is a new type of primary crushing equipment with large capacity and intelligent, which integrates mechanical, hydraulic, electrical, automation and intelligent control technology. Compared with the traditional Gyratory crusher, DXF Gyratory crusher has higher crushing efficiency, low cost and convenient maintenance and adjustment, which can provide intelligent large capacity primary crushing solution to users.

### 优势和特点

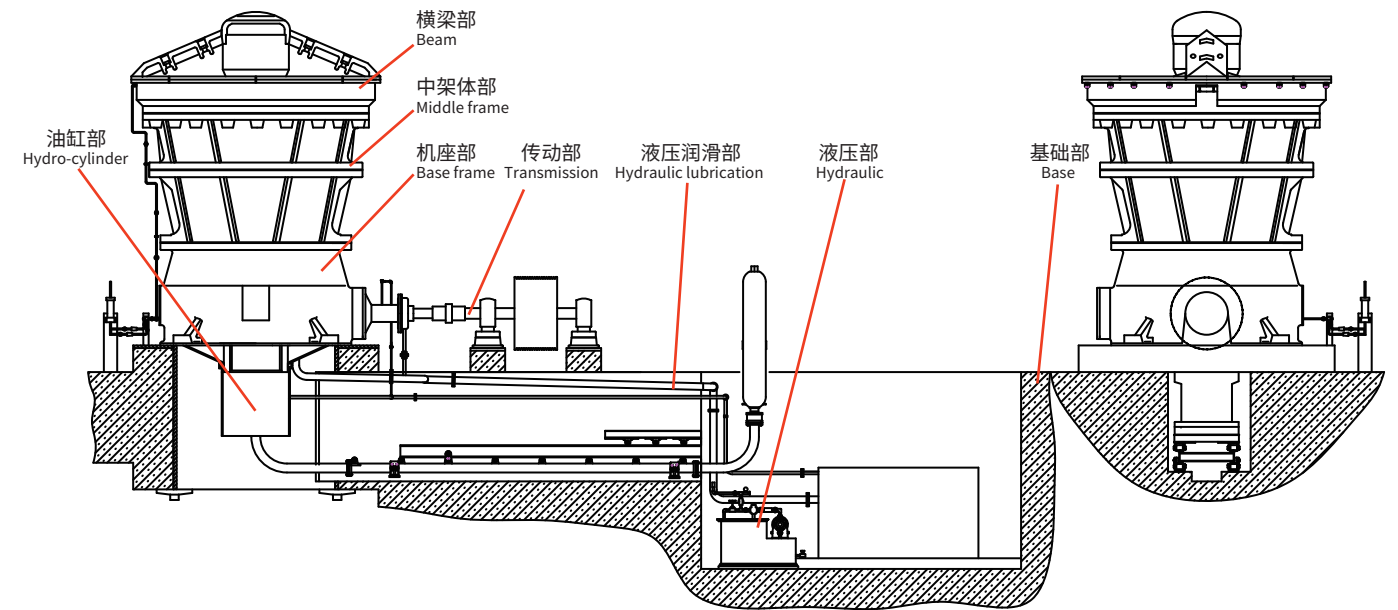
- 独特的深腔破碎室和较长的进料口设计，进料流畅，且实现连续式破碎，处理量大，破碎效率高，破碎比大，成品粒度均匀，维护便捷等优势，衬板磨损少，使用成本低。
- 平衡缸系统，具有防止主轴跳动功能，过载的情况下，可自动下降主轴，避免在设备进入超大物料时主轴跳动对设备的冲击，确保运行安全稳定。
- 高强度超重型机架，整体式躯体轴和高性能轴承，在各种恶劣的工况条件下，确保使用寿命更长，运行更安全可靠。

### Advantages and Characteristics

- Unique deep crushing and long feeding port design, smooth feeding, continuous crushing, large processing capacity, high crushing efficiency, large crushing ratio, uniform grain size of finished products, convenient maintenance and other advantages, less liner wear and low cost.
- The balance cylinder system has the function of preventing the main shaft from jumping. In case of overload, it can automatically lower the main shaft to avoid the impact of the main shaft jumping on the equipment when the equipment enters the super large material, so as to ensure the safe and stable operation.
- The high-strength super heavy-duty frame, integral body shaft and high-performance bearing ensure the long service life and more safe and reliable operation under various harsh conditions.

### 安装结构示意图

Structural Drawing



### 主要技术参数

Main Technical Parameters

型号 Model	进料口尺寸 Size of feed opening (mm x mm)	最大进料粒度 Max.feed size (mm)	处理能力 Capacity (t/h)	电机功率 Motor power (kw)	排料口调整范围 Closed side setting (mm)	外型尺寸 Dimension (mm)
DXF4265	1065	900	2015-2875	400	140-175	3940 x 4170 x 6900
DXF5065	1270	1050	2400-2940	400	150-175	4460 x 4430 x 7610
DXF5475	1370	1150	2890-3490	450	150-200	4930 x 4925 x 8410
DXF6275	1575	1350	2895-4335	450	150-200	5580 x 5250 x 9090
DXF6089	1525	1300	4200-5810	630	165-230	5590 x 5445 x 10470
DXF60110	1525	1300	5540-8895	1250	175-250	6200 x 5940 x 11390

注：上述处理能力均根据以下推测条件：给料100%通过给料口宽度的80%；80%通过给料口的50%，30%通过尺寸为最大给矿块度的10%的筛孔。这些能力值适用于松散密度为1.6t/m<sup>3</sup>的物料。所有能力值均为各设备的最大偏心距时的计算值。

## PF系列反击式破碎机 PF Impact crusher



### 产品简介

PF反击式破碎机适合各种软、中硬矿石的中碎、细碎作业，主要由机壳、转子和反击板组成。转子具有更大的转动惯量能耗低；采用高铬板锤，抗冲击、抗磨损，有效延长了易损件使用寿命。广泛应用于冶金、矿山、水泥、化工、耐火材料及陶瓷等工业部门，以及高速公路建设、水利工程、建筑碎石、机制砂加工等领域。

### Brief Description

Widely used in the Quarrying and Mining industries, the PF Impact Crusher is designed for operation in a variety of materials from soft to medium hard rock. These machines feature a 4 blow bar rotor assembly, and 2 or 3 adjustable impact racks with multiple impact plates. There are 9 of these machines in the series, ranging in capacity from 24 TPH up to 860 TPH.

### 优势和特点

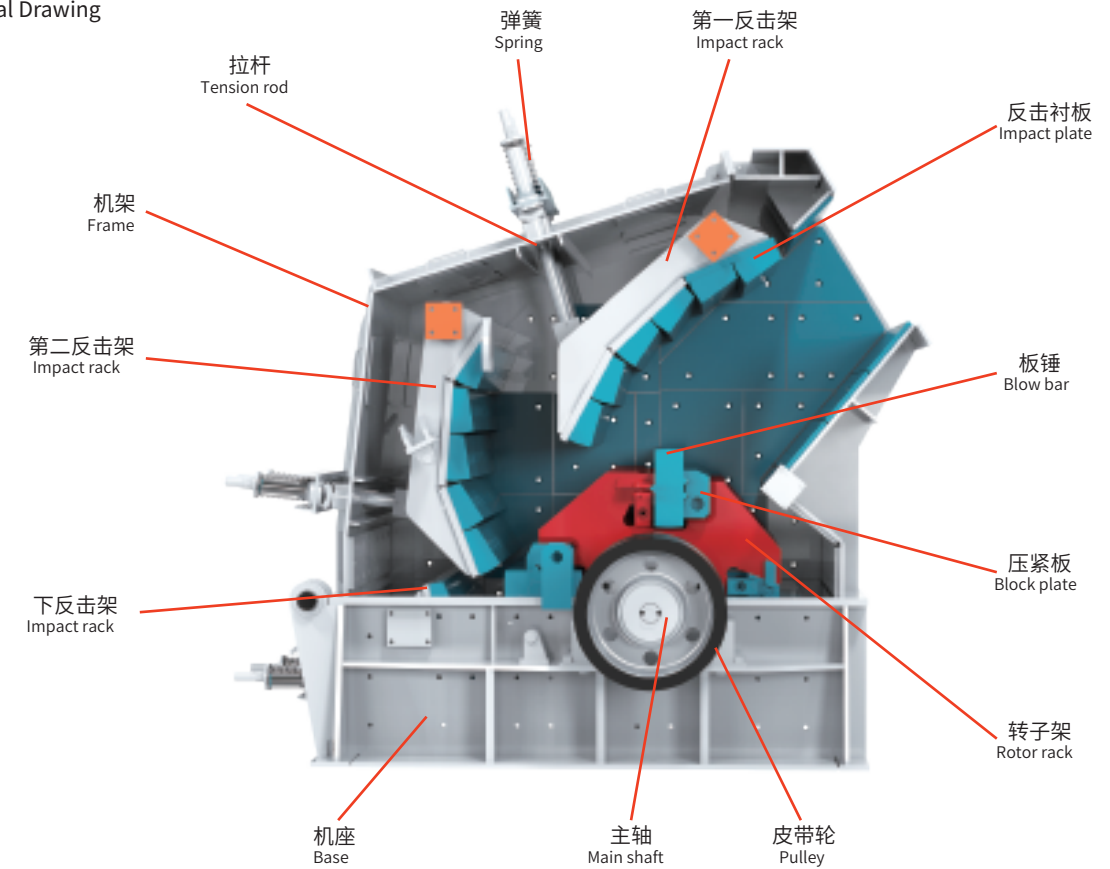
- 成品形状呈立方体，无张力裂缝，粒形较好，符合各类砂石骨料的等级标准。
- 通过起顶装置，可快速打开后机架，对机器进行配件更换维修操作。
- 转子与主轴间采用胀紧套无键连接。
- 机器顶端配备出料口调节装置，可简单快捷调整反击板与板锤间隙，控制出料大小。

### Advantages and Characteristics

PF Impact Crushers generally form a cubical shaped product, and are an efficient machine in producing aggregates, and generating fines. Featuring a 4 rows blow bar balanced rotor assembly, these machines offer smooth operation. Access to blow bar and impact plates is made easy by the hinged opening of the main frame. A hydraulic opening facility is included on the larger machines. The blow bars are reversible, and the product size can be controlled by adjusting the clearance between the blow bars and the impact racks.

### 结构示意图

Structural Drawing



### 主要技术参数

Main Technical Parameters

型号 Model	进料口尺寸 Size of feed opening (mm x mm)	最大进料粒度 Max.feed size (mm)	处理能力 Capacity (t/h)	电机功率 Motor power (kw)	重量 Weight (t)	外型尺寸 Dimension (mm)
PF-1007	820 X 700	300	24 - 45	55	9.5	2400 x 1558 x 2660
PF-1010	1170 x 720	300	50 - 80	75	10	2532 x 1985 x 2196
PF-1210	1090 x 465	350	80 - 130	110	14	2638 x 2037 x 2713
PF-1214	1440 x 465	350	100 - 160	132	18	2580 x 2400 x 2810
PF-1315	1532 x 560	350	140 - 200	200	19.3	2840 x 2748 x 2556
PF-1316	1690 x 859	350	150 - 220	200	19.5	3096 x 2850 x 2667
PF-1515	1580 x 696	350	220 - 280	280	28.5	3553 x 2835 x 3277
PF-1620	1240 x 2000	500	300 - 500	280 x 2	50	4000 x 3750 x 3950
PF-1820	1500 x 2050	500	550 - 860	630	90	4260 x 3550 x 3640

## PFW欧版反击式破碎机

PFW European style impact crusher



### 产品简介

PFW 欧版反击式破碎机是我司采用德国技术制造，广泛应用于冶金、建材、化工等行业，适用于中等硬度以上脆性物料的粗、中、细碎作业，如石灰石、白云石、砂岩、石墨、岩盐、花岗岩和玄武岩等物料的破碎。具有破碎比大、产量高、产品粒度均匀，破碎流程紧凑，整机结构简单，使用和维修方便等特点。

### Brief Description

PFW impact crusher is widely applied in metallurgy, building materials, chemical industries. They are ideal for crushing medium hard brittle materials of coarse, secondary and fine crushing stages, such as limestone, dolomite, sandstone graphite, rock salt, granite and basalt. With high crushing ratio unequaled output, uniform production size, compact process, simple construction, easy operation and maintenance.

### 优势和特点

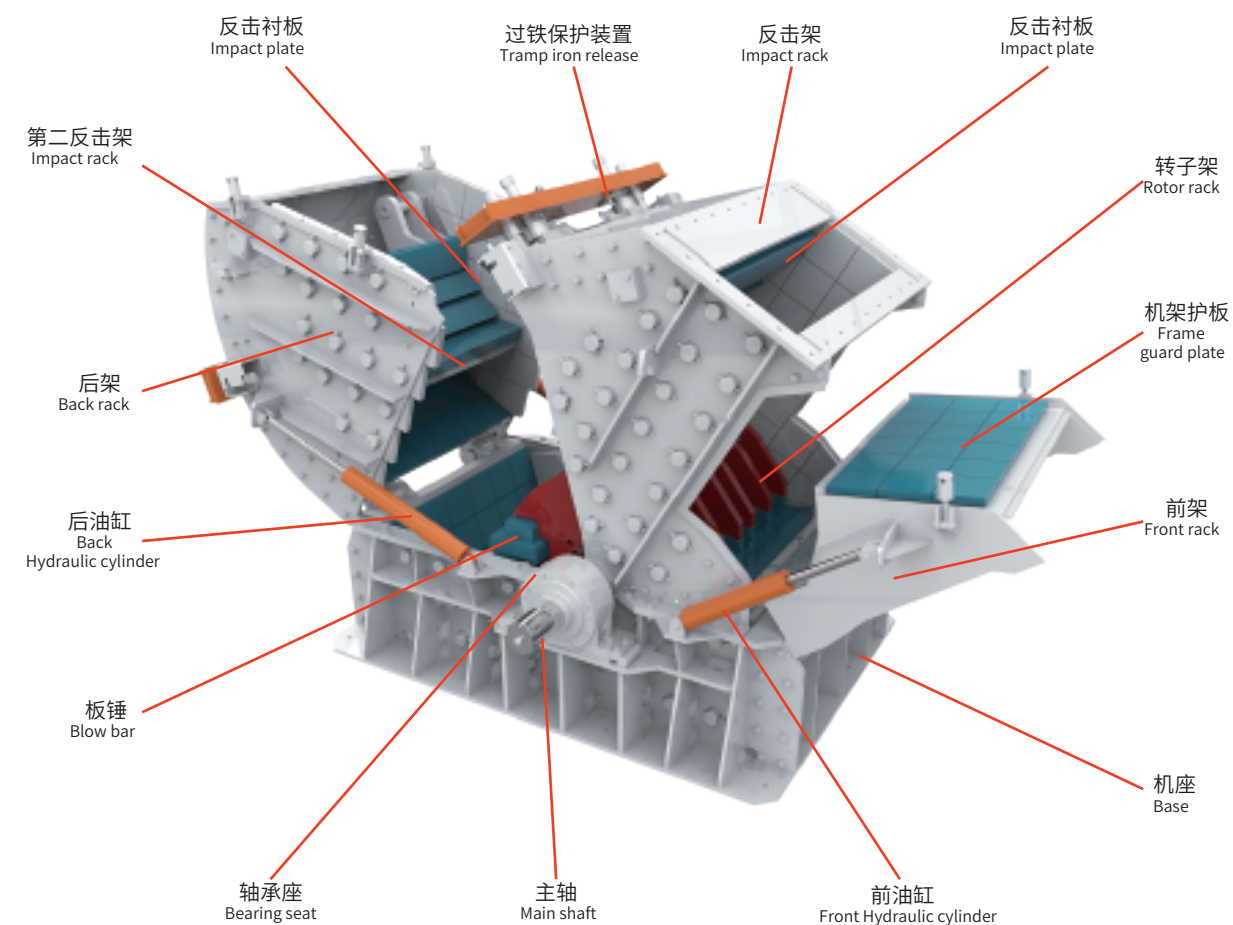
- 该机采用重型化的转子设计，独特的板锤固定装置，具有处理能力大等优势。
- 选配液压控制系统，通过液压装置快速调节出料口大小及出料粒度。
- 自动化液压开顶装置，可迅速地完成板锤等易损件的更换。

### Advantages and Characteristics

The PFW Impact Crusher features a heavy duty rotor design with an improved blow bar fixing method that provides a high reduction ratio. The machine is fitted with a hydraulic opening facility to enable easy access to the wear parts for servicing. Product material size can be varied using the hydraulic adjustment system to reposition the discharge port settings. The blow bars are reversible for longer life.

## 结构示意图

Structural Drawing



## 主要技术参数

Main Technical Parameters

型号 Model	转子直径 Rotor diameter (mm)	转子长度 Rotor length (mm)	最大进料粒度 Max.feed size (mm)	处理能力 Capacity (t/h)	电机功率 Motor power (kw)	重量 Weight (t)	外型尺寸 Dimension (mm)
PFW-1313	1280	1340	200	160-220	132-200	19.8	3210x2730x2545
PFW-1515	1540	1500	300	250-350	280-315	30	3200x3082x3036
PFW-1618	1600	1800	350	440-600	220x2	40.2	3447x3790x3160

## DVSI高效立轴式冲击破碎机

DVSI High efficiency vertical shaft impact crusher



### 产品简介

DVSI系列高效立轴冲击式破碎机, 又称制砂机、整形机, 是我公司引进德国权威专家最新研制成果, 并结合中国的矿山条件经过改进设计, 是目前国内最具世界先进水平的第四代高性能制砂设备。广泛应用于砂石料场、搅拌站、干粉砂浆、石英砂、建筑垃圾破碎等行业, 为高速公路、铁路、建筑、市政、水电大坝建设、混凝土搅拌站提供优质砂石骨料。

### Brief Description

Widely used in the Quarrying and Mining industries, the DVSI High Efficiency Vertical Shaft Impact Crusher is commonly used in the production of sand or other fine material. These machines have been designed and built using the latest German research results, and have become very advanced high production sand making machines. There are 6 types of machines in the series, with capacities ranging from 100 TPH up to 580 TPH

### 优势和特点

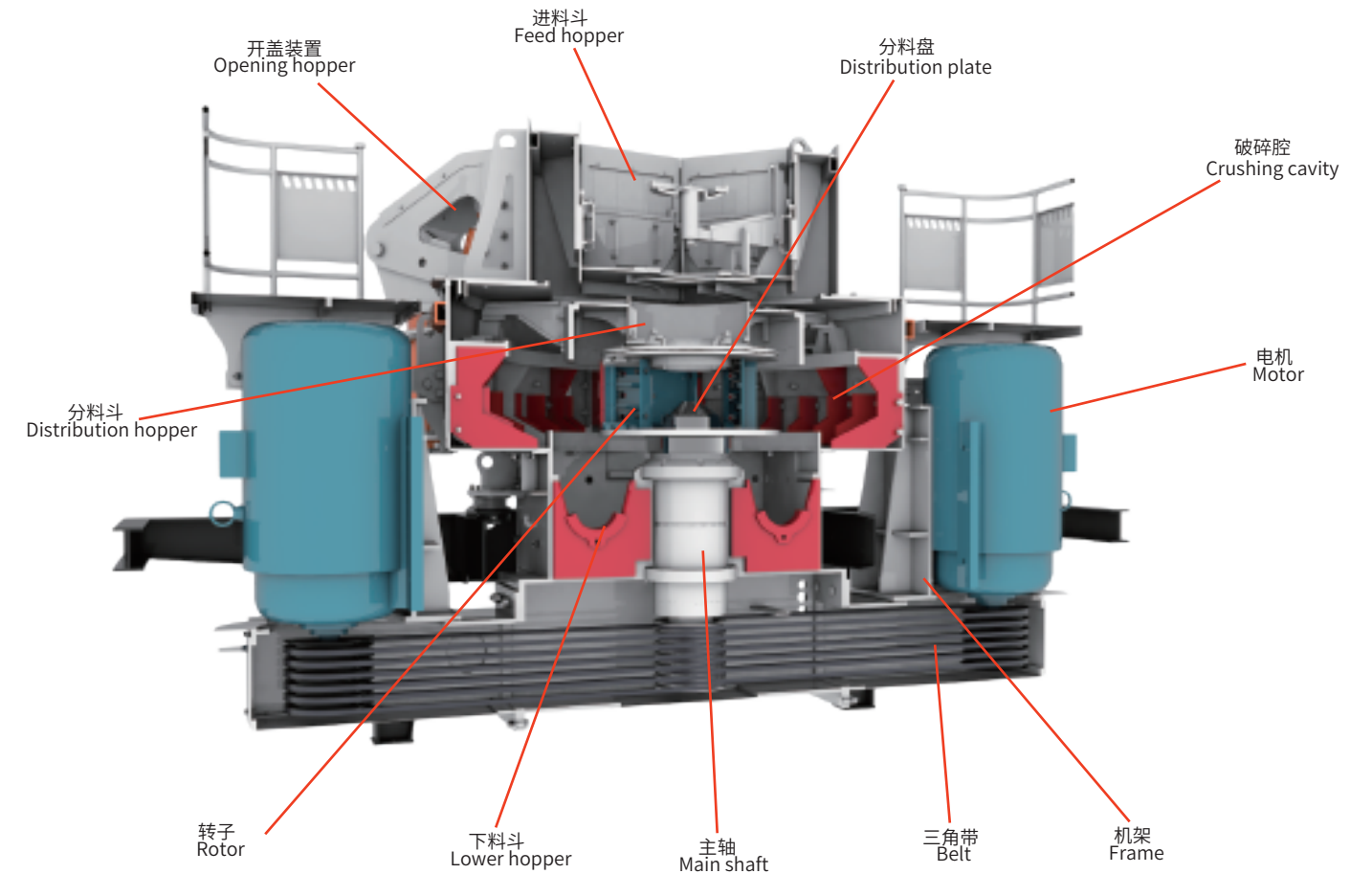
- 单机最大型号机型处理能力可达580吨/时, 与同等功率下的传统设备相比, 处理能力提高了30%而且稳定。
- 物料与耐磨件的摩擦少, 直接降低了设备的使用成本。
- 产品呈立方体, 粒形好、级配合理、细度模数可调, 特别适合人工制砂和石料整形。
- 轴承采用高精度等级的国际品牌, 确保系统低故障率。
- 配备稀油润滑站, 彻底解决轴承发热等问题。
- 配备液压开盖装置, 使破碎腔内部件检修更换方便快捷。

### Advantages and Characteristics

The DVSI High Efficiency Vertical Shaft Impact Crusher has very good product shaping characteristics, while incurring minimal wear rates, and less power consumption than other machines. The machines come with an oil lubrication system and a hydraulic opening cover device to gain access to the crushing cavity for repairs or replacement of parts as required.

### 结构示意图

Structural Drawing



### 主要技术参数

Main Technical Parameters

型号 Model	转子转速 Rotor Speed (r/min)	转子直径 Rotor diameter (mm)	最大进料粒度 Max.feed size (mm)	电机功率 Motor power (kw)	处理能力 Capacity (t/h)	重量 Weight (t)	外型尺寸 Dimension (mm)
DVSI75	1740	730	35	200	100-180	9.7	4180x2180x2690
DVSI80	1740	730	35	250	150-220	9.8	4180x2180x2690
DVSI85	1630	850	40	160 X 2	250-350	16.5	5200x2620x3040
DVSI95	1630	850	40	200 X 2	300-450	17.5	5200x2620x3040
DVSI110	1400	1000	40	250 X 2	400-500	19.5	5200x2620x3040
DVSI120	1200	1000	50	315 X 2	450-580	23.1	5700x2980x4190

## YK振动筛 YK vibrating screen



### 产品简介

YK系列振动筛是一种多层数、高效新型振动筛，主要有筛箱、筛网、振动器、减振弹簧装置等组成。采用小振幅、高频率，大倾角结构，该机筛分效率高、处理量大。广泛应用于采石场筛分砂石料，也可供选煤、采矿、选矿、建材、电力及化工等行业作产品分级用。

### Brief Description

Widely used in the Quarrying and Mining industries, the YK Series Vibrating Screens are new high efficiency models which are available in 2, 3, or 4 deck configurations. These machines have a heavy duty 2 bearing vibrating shaft mechanism operating with a small amplitude and high frequency. There are 20 models in the series of various sizes and deck numbers.

### 优势和特点

- 振动器采用大游隙轴承、噪声低、寿命长。
- 环槽铆钉联接，坚固耐用。
- 采用轮胎联轴器，柔性连接，运转平稳。
- 振幅强弱可调节，物料筛淌线长，多层筛分，各档规格筛选清晰，筛分效率高。

### Advantages and Characteristics

The YK Series Vibrating Screens utilize a spring loaded eccentric vibrating mechanism to ensure smoother start up and shut down. The main frame is all rivet construction, ensuring against vibration fatigue. The head of the screen is fitted with a feed tray, and the screen is mounted on coil springs and spring bases. Springs, bases, and strainer bars are included with the screen.

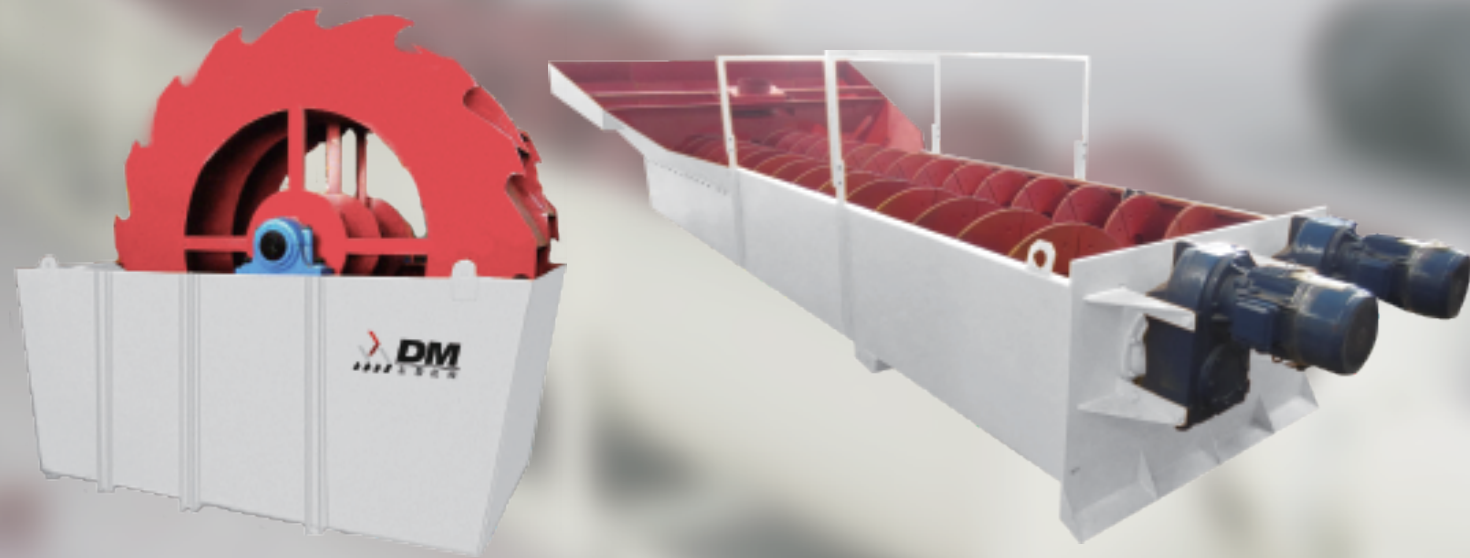
## 主要技术参数

Main Technical Parameters

型号 Model	层数 Screen deck	筛面规格 Screen size (mm)	最大进料粒度 Max.feed size (mm)	处理能力 Capacity (mm)	振动频率 Vibrating frequency (Hz)	电机功率 Motor power (kw)	重量 Weight (t)	外型尺寸 Dimension (mm)
2YK--1230	2	1200 x 3000	100	10~90	16.2	7.5	2.3	3500x2127x1868
3YK--1230	3	1200 x 3000	100	30~90	16.2	7.5	3	3538x2168x2245
2YK--1548	2	1500 x 4800	200	50~190	13~16	15	5	5810x2320x1280
3YK--1548	3	1500 x 4800	200	50~200	13~16	15	6	5960x2320x1700
4YK--1548	4	1500 x 4800	200	50~200	13~16	18.5	7.5	6090x2320x2050
2YK--1854	2	1800 x 5400	200	50~280	16.2	18.5	6	6520x2550x1340
3YK--1854	3	1800 x 5400	200	50~300	16.2	22	7	6670x2550x1770
4YK--1854	4	1800 x 5400	200	80~320	16.2	30	9	6800x2550x2130
2YK--2160	2	2100 x 6000	250	100~330	16.2	30	8	7380x2880x1500
3YK--2160	3	2100 x 6000	250	100~380	16.2	30	9.5	7550x2880x1960
4YK--2160	4	2100 x 6000	250	100~430	16.2	37	12	7690x2880x2360
2YK--2460	2	2400 x 6000	300	100~380	16.2	30	8.5	7380x3180x1500
3YK--2460	3	2400 x 6000	300	160~450	16.2	30	10	7550x3180x1960
4YK--2460	4	2400 x 6000	300	160~450	16.2	37	13	7690x3180x2360
2YK--3070	2	3000 x 7000	350	150~600	16.2	22x2	12	8030x3660x1800
3YK--3070	3	3000 x 7000	350	150~650	16.2	30x2	15.5	8230x3660x2350
2YK--3275	2	3200 x 7500	150	100~750	12.16	22x2	12.5	8530x3860x1800
3YK--3275	3	3200 x 7500	150	100~750	12.16	30x2	16.5	8730x3860x2350
2YK--3680	2	3600 x 8000	100	150~1000	12.16	37x2	17.9	8906x4406x2030
3YK--3680	3	3600 x 8000	100	150~1000	12.16	45x2	21.4	9088x4423x2530

## LSX/XSD洗砂机

LSX/XSD sand washer



### 产品简介

洗砂机是上海东蒙路桥采用国内外先进技术,结合国内砂石行业实际情况研制生产的配合制砂机使用的高效洗砂设备。工作时,砂石互相研磨,除去覆盖砂石表面的杂质,同时破坏包覆砂粒的水汽层,并在强大水流下完成清洗除杂功能。适用于冶金、建材、水电等行业的洗选、分级、除杂等企业,适用于细粒度和中粒度物料的洗选作业,对建筑用砂、筑路用砂石尤为适宜。

### Brief Description

Widely used in the Quarrying and Mining industries, the LSX and the XSD machines are more commonly utilized in the production of sand materials.

- The LSX Series are screw washers featuring a weir on the feed end, and an elevating screw to the discharge point. These machines come in 2 sizes with either single or twin screws. Capacities range from 100 TPH up to 350 TPH
- The XSD Series are single wheel washers which are available in 2 sizes ranging from 50 TPH up to 80 TPH.

### 优势和特点

- 兼有清洗、脱水、分级三种功能。
- 单机产量最高可达350吨/时,清洗与提升输送同时进行。
- 耗水量低,经久耐用。

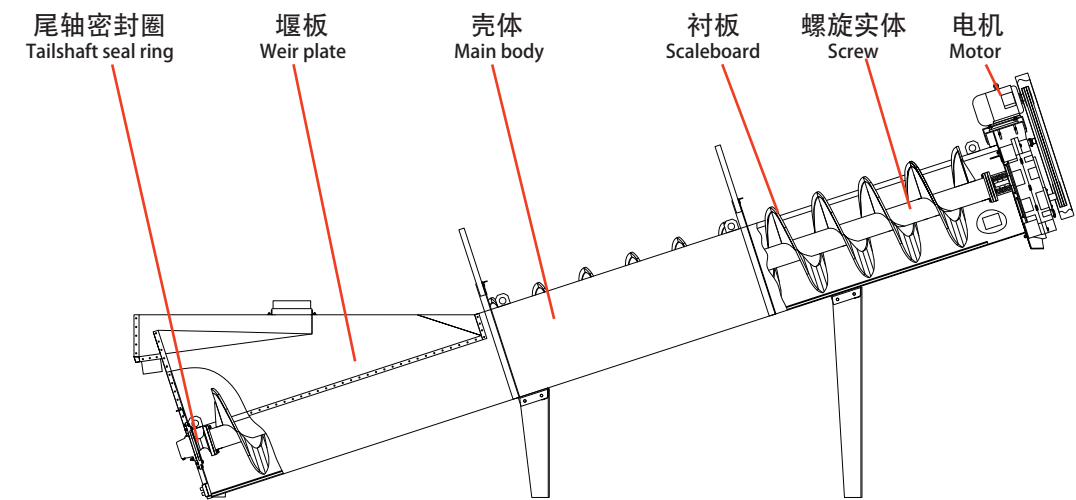
### Advantages and Characteristics

The LSX and the XSD Sand Washer Series machines are both designed to wash sand by removing debris, and clay particles leaving an acceptable washed sand final product. Both types consume a low volume of water, and feature fully sealed bearings for long life. The LSX model has replaceable wear parts on the flights of the screw.

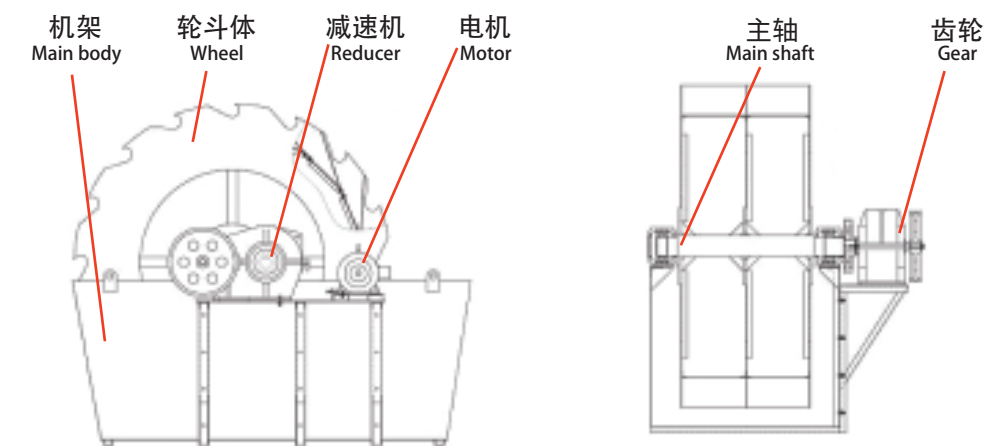
### 结构示意图

Structural Drawing

LSX



XSD



### 主要技术参数

Main Technical Parameters

型号 Model	螺旋直径 Screw diameter (mm)	水槽长度 Tub length (mm)	入选粒度 Selected size (mm)	处理能力 Capacity (mm)	螺旋转速 Speed of screw (r/min)	耗水量 Water consumption (t/h)	电机功率 Motor power (kw)	重量 Weight (t)	外型尺寸 Dimension (mm)
LSX915	915	7585	≤10	100	21	10-80	11	6.5	8500x2950x1930
2LSX915	915	7585	≤10	200	21	20-160	11x2	11.8	8420x3765x1930
LSX1115	1115	9782	≤10	175	17	20-150	15	10.18	10970x3945x4720
2LSX1115	1115	9782	≤10	350	17	40-300	15x2	17.94	10970x5250x4720
XSD2610	2600	3220	≤10	50	0.8	4-4.5	5.5	2.7	3220x2125x2800
XSD3016	3000	3810	≤10	80	0.8	16.3	7.5	3.2	3400x3000x3300

## 皮带输送机 Belt conveyor



### 产品简介

在工业生产中，皮带输送机是联接各生产设备的纽带，保证了生产环节的连续性和自动化。在破碎行业中，我公司生产的皮带机广泛用来输送松散物料或成件物品。适宜各种软硬矿石，如：石灰石、方解石、白云石、重晶石、滑石、碳酸钙、石膏、膨润土、玻璃等。

### Brief Description

- Belt conveyors are used to transfer material between crushing stations, and stockpile the finished products. DongMeng offer a design and manufacture facility to produce any type or size of conveying system that a Client may require. DongMeng generally manufacture conveyors in belt widths of 400mm, 500mm, 650mm, 800mm, 1000mm, 1200mm, and 1400mm

### 优势和特点

- 针对不同物料与皮带机间可能出现打滑,可提供“人”字形皮带机,增强皮带机工作的稳定性。
- 根据不同的输送工艺要求,可单台使用,也可多台组合使用,或其他输送设备组成水平或倾斜的输送系统。
- 可在环境温度-20°C至+60°C范围内使用,输送物料的温度在50°C以下,具有极高的适应性。

### Advantages and Characteristics

- DongMeng conveyors are made with as many common components as possible (V" belts, couplings, idlers, bearings, etc) so as to minimize any stored spare parts inventory.
- Various belt specifications are available, including V-type (Chevron) belt for steep elevation applications.

### 主要技术参数

Main Technical Parameters

胶带宽度 Belt width (mm)	皮带长度(m)/电机功率(kw) Conveyor length / Motor power			传输速度 Belt speed (m/s)	处理能力 Capacity (t/h)
	I(L/kw)	II(L/kw)	III(L/kw)		
B400	≤12/1.5	12-20/2.2-4	20-25/3.5-7.5	1.3-1.6	30-60
B500	≤12/3	12-20/4-5.5	20-30/5.5-7.5	1.3-1.6	40-80
B650	≤12/4	12-20/5.5	20-30/7.5-11	1.3-1.6	50-100
B800	≤6/4	6-15/5.5	15-30/7.5-15	1.3-1.6	80-180
B1000	≤10/5.5	10-20/7.5-11	20-40/11-15	1.3-2	150-300
B1200	≤10/7.5	10-20/11	20-40/15-37	1.3-2	200-400
B1400	≤10/15	10-20/15-22	20-40/22-45	1.3-2	300-600

附注:

- 本汇总表的输送量范围是依据松散密度 1.6t / m<sup>3</sup> 的碎石给定。
- 输送机安装倾角≤18°。(本表输送量按 0°标定)
- 本公司另可根据用户的特殊需要进行设备配置设计。

Notes:

- The capacities specified in the table are relative to loose crushed stone which weighs approximately 1.6 tonne per cubic meter.
- Belt angle of inclination is based on 18°.
- DongMeng can quote and build specific designed conveyors to suit the needs of any Client

根据客户的特殊需求,我们可以做径向堆垛皮带输送机。

As per customers' special requirements,Radial stacking belt can be supplied.



## 制砂生产线 Sand-making production line



### 产品简介

公司经过数年的开发,将振动喂料机、颚破、圆锥破、制砂机相配合的制砂生产线,在规格产量和质量方面都超越了同类产品,获得了用户的好评。各级破碎设备匹配合理,空间布局严谨,占地面积小,投资效率高,碎石料品质好,将高效制砂机作为成品料的设备选型,也使整个工艺过程中易损件消耗大幅度下降。加之,高效整型制砂机低磨损,因此有效的节约了生产费用。

### Brief Description

Following several years of research and development, DongMeng's Sand Making Production Line has achieved recognition for its capacity and quality of product by using well matched components of the Vibrating Feeder, Jaw Crusher, Impact Crusher, Cone Crusher, Vertical Shaft Impact Crusher, Vibrating Screen, and Sand Washing unit.

### 优势和特点

- 适用范围更广
- 产品质量更优
- 量身定做配置

### Advantages and Characteristics

- The plant can be used in a variety of applications to make specific products.
- High quality products in terms of size and shape specification are readily achieved by matching the most suited crushing units to the material being processed. Cubical shape, correct percentages of fines, and overall material specifications can be assured.
- The plant can be designed and built to the Clients requirements, in Mobile, Portable, or Stationary configuration.
- The plant can be supplied with, all electric drives, or diesel electric drives, or diesel hydraulic drives, Electric drives and controls can be provided in the specified voltage of the Country where the plant will operate

### 适用范围更广

适用于花岗岩、玄武岩、鹅卵石、铝矾土、水泥熟料、石英石、金刚砂、矿砂、铁矿石等原料破碎,克服传统制砂设备只适用于软岩、150MPa以下材料的缺点。

### 产品质量更优

产品粒型呈立方体状,质量优异;针、片状产品含量低,抗压能力强;适用于高标准建设需要,如水利、桥梁、高级公路以及高层建筑等行业。

### 量身定做配置

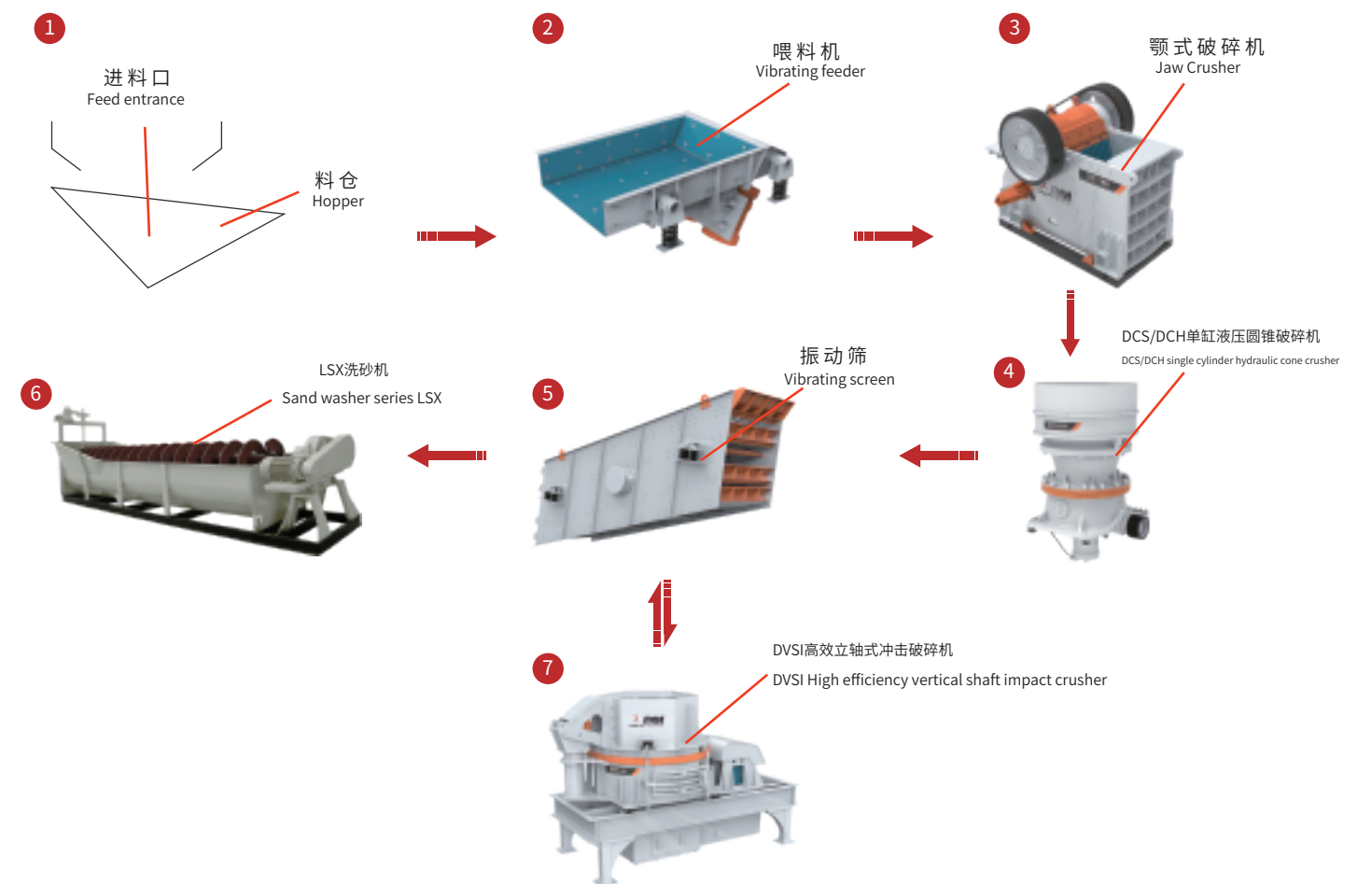
公司资深工程师针对客户不同需求,为客户量身定做、科学选配设备;并保证为客户选配的设备先进、智能化程度高。

### Notes:

- The DongMeng Sand -Making Production Line is suitable for all types of material, from soft to hard rock, and the correct crushing components can be incorporated to suit abrasive or non abrasive materials.
- High quality of finished product shapes can meet specifications for materials used in high stress concrete works such as bridges, high rise buildings, and other construction requirements.
- DongMeng can design and manufacture these Plants to meet and satisfy the Client's specific requirements.

### 制砂生产线工作流程

Flow chart of sand-making production line



## 碎石生产线 Stone crushing production line



### 产品简介

公司经过数年的开发,将振动喂料机、颚破、反击破、圆锥破等相配合的碎石生产线,在规格产量和质量方面都超越了同类产品,获得了用户的好评。各级破碎设备匹配合理,空间布局严谨,占地面积小,投资效率高,碎石料品质好,将反击式破碎机作为成品料的设备选型,也使整个工艺过程中易损件消耗大幅度下降。

### Brief Description

- Following several years of research and development DongMeng's Stone Crushing Production Lines have achieved high recognition for their capacity and quality of product by using well matched components of the Vibrating Feeder, Jaw Crusher, Impact Crusher, Cone Crusher, Vertical Shaft Impact Crusher, Vibrating Screen, and Conveyors.
- With an understanding of the Clients contract specification and the nature of the material to be crushed, DongMeng can design the plant most suited to meet the requirements. From our wide range of crushers and plant components, DongMeng can manufacture and supply a complete plant capable of producing up to 2000 TPH of material. DongMeng can arrange shipping to any destination, and can provide on site supervision of assembly and commissioning of the plant. At DongMeng we manufacture our own high quality spare parts and wear parts, so maintenance back up and warranty is assured.

### 优势和特点

- 自动化 效率高
- 损耗小 收益大
- 高标准 高质量

### Advantages and Characteristics

- The plant can be used in a variety of applications to make specific products. Switching production from aggregates to roadbase can be achieved quickly by simply changing a screen cloth and traversing a stockpile conveyor.
- High quality products in terms of size and shape specification are readily achieved by matching the most sited crushing units to the material being processed. Cubical shape, correct percentages of fines, and overall material specifications can be assured.
- The plant can be designed and built to the Clients requirements. DongMeng specialize in Mobile plants, Crawler plants, Portable plants, or Stationary plants.
- The plant can be supplied with, all electric drives, or diesel electric drives, or diesel hydraulic drives. Electric drives and controls can be provided in the specified voltage of the Country where the plant will operate.

### 自动化 效率高

石料破碎生产线自动化程度高,破碎比大,生产效率高,处理量大。经过破碎的产品呈立方体状,针、片状含量低,无内裂缝,抗压强度高。

### 损耗小 收益大

设备维护保养简便,易损件采用目前国内最新高强耐磨材料,损耗小使用寿命长,能为客户带来可观的经济效益。

### 高标准 高质量

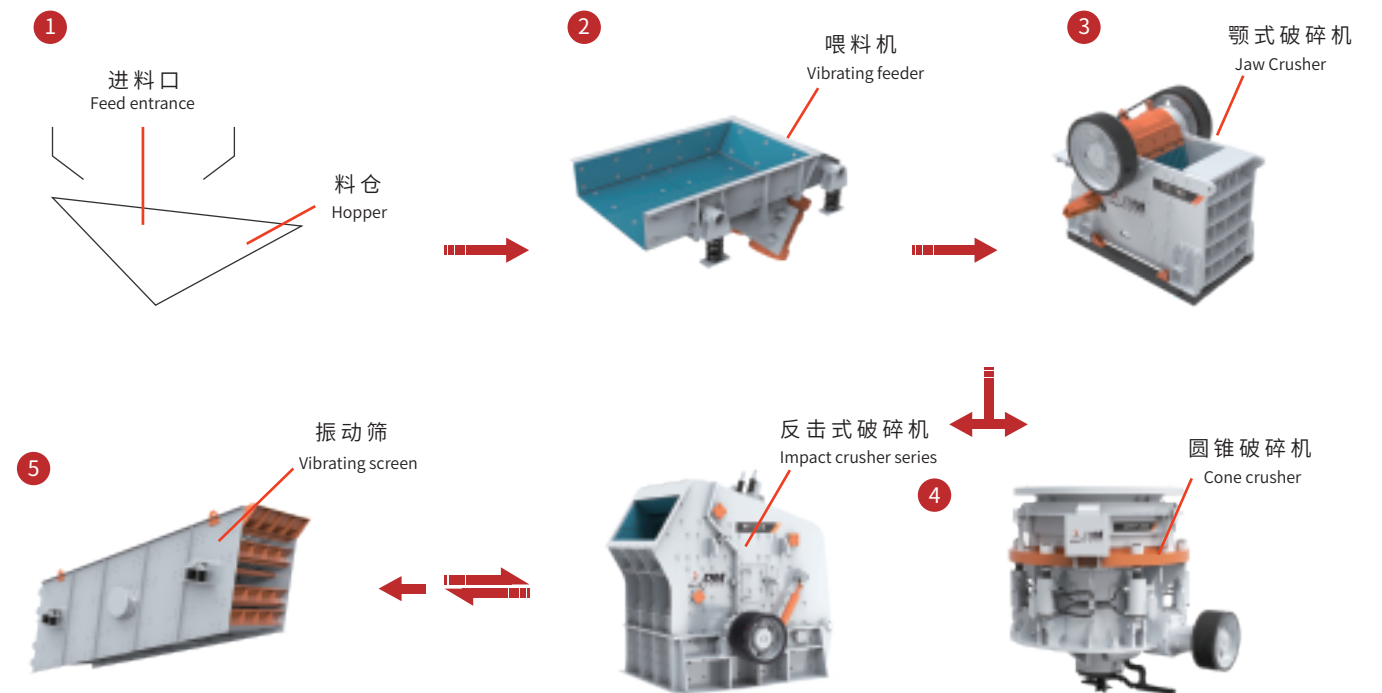
从产品设计、原材料采购到生产加工,我们注重每一个环节和细节。新技术、新工艺、新材料的大量采用,使产品质量的高标准得到可靠保证。

### Notes:

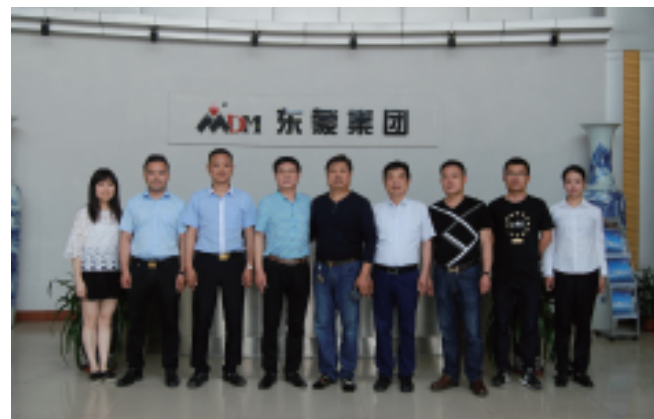
- The electric control system used by DongMeng utilizes power consumption meters on the crushers, which automatically regulate the flow of material from the feeder. This assists in providing uninterrupted and continuous crushing by reducing potential down time caused by blockages from overloads.
- As with all of DongMeng's manufacturing facilities, only the best quality of steel and other materials are used to build our equipment, and DongMeng's wear parts are all manufactured using high grade components that assure longer operating life, and therefore higher profit.

### 碎石生产线工作流程

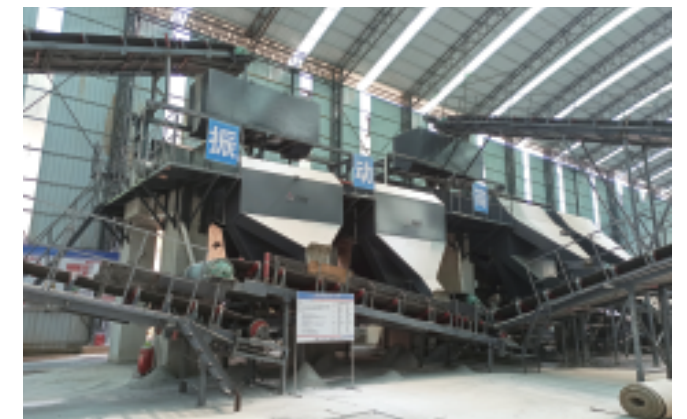
Flow chart stone crushing & screening product line



客户来访  
Customers reception



生产现场  
Working sites



发货现场  
Products delivery



车间及资质  
Workshops and Certificates

